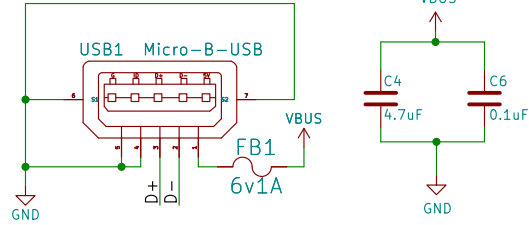
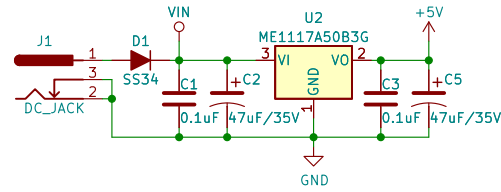


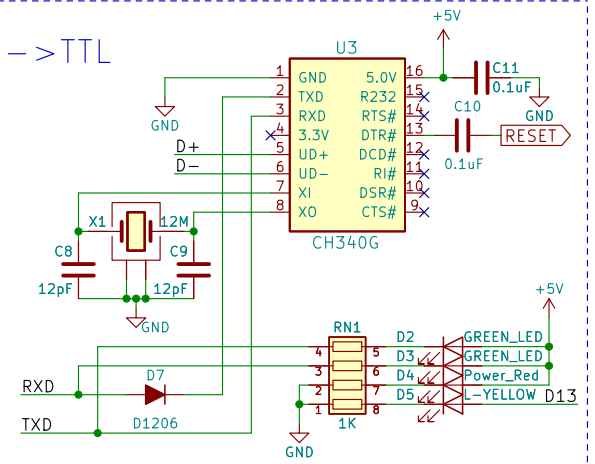
TypeB-USB



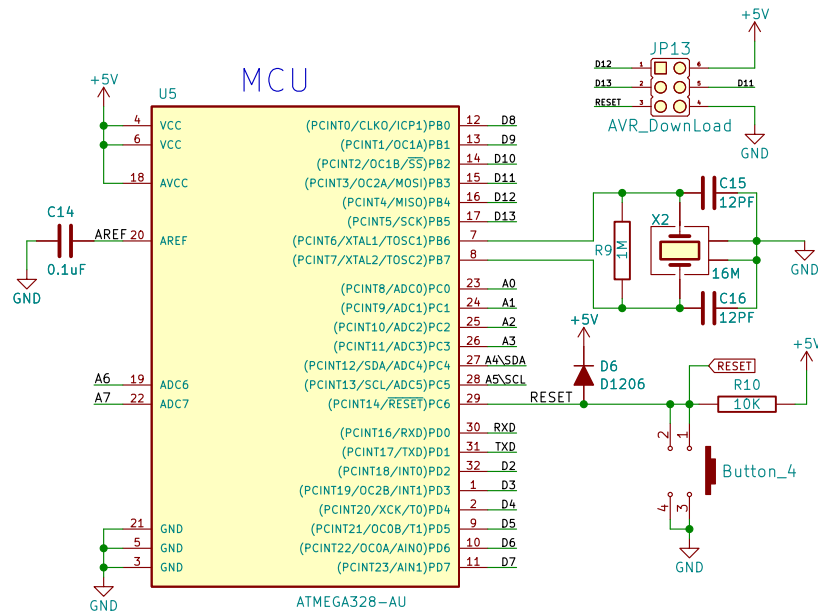
DC_input



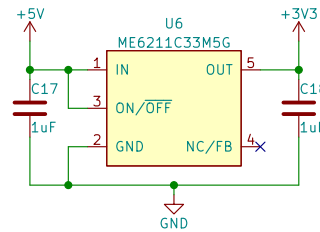
USB->TTL



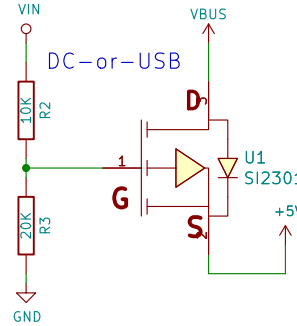
MCU



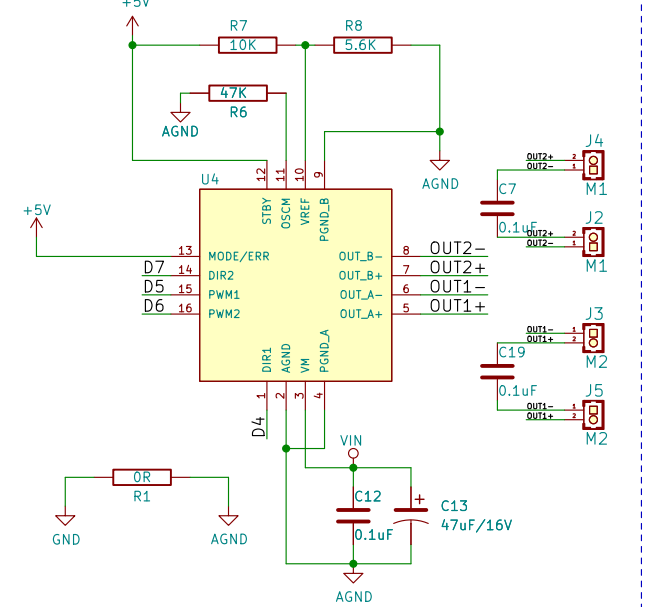
Voltage Regulator 5V->3V3



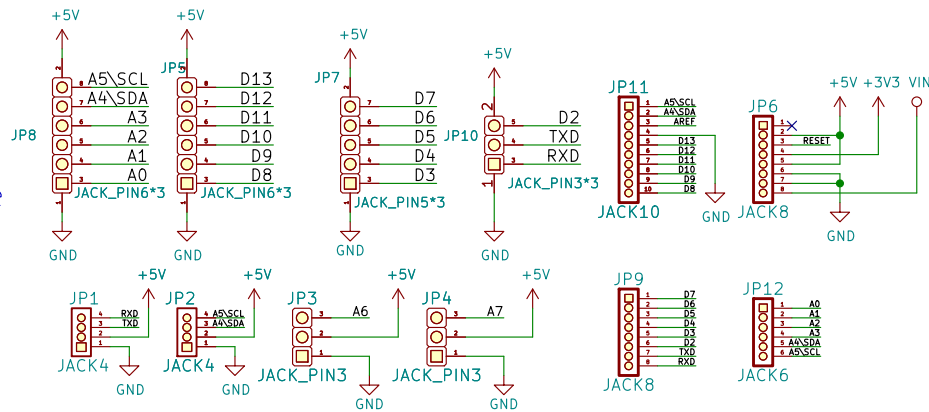
Voltage selection



Motor Driver



IO_interface



Carl.Du
<https://github.com/emakefun>
www.emakefun.com

EMakefun

Sheet: /
 File: Maker-Uno.kicad_sch

Title: Maker-Uno

Size: A4 Date: 2022-09-08

KiCad E.D.A. kicad (6.0.7)

Rev: V2.0

Id: 1/1