

# Emakefun Motor&Stepper&Servo&Encoder Driver Board

Rev V5.2

Index	Page
Power&Extension	1
DC&Servo&Encoder	2
Peripheral	3

Sheet: Power&Extension

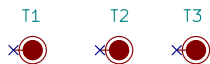
File: Power&Extension.sch

Sheet: TB67H450FNG

File: TB67H450FNG.sch

Sheet: Peripheral

File: Peripheral.sch



<https://github.com/emakefun/MotorDriverBoard>

<https://github.com/emakefun/MotorDriverBoard>  
Author:ken.chen@emakefun.com  
make your ideas fun



**Emakefun**

Sheet: /

File: MotorDriverBoard.sch

**Title: MotorDriver Board**

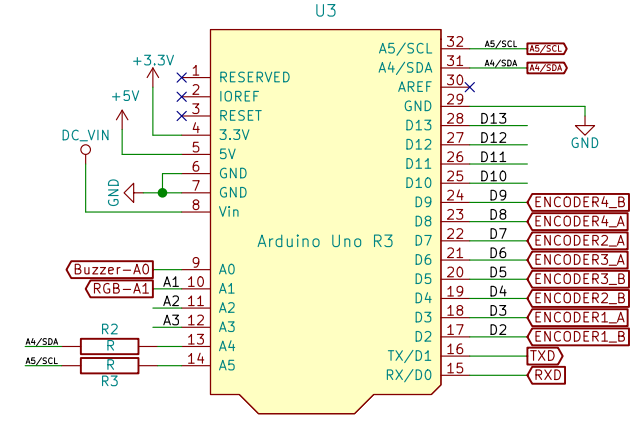
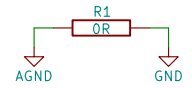
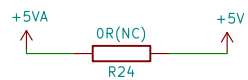
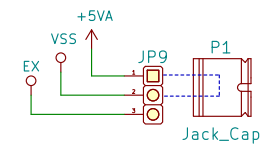
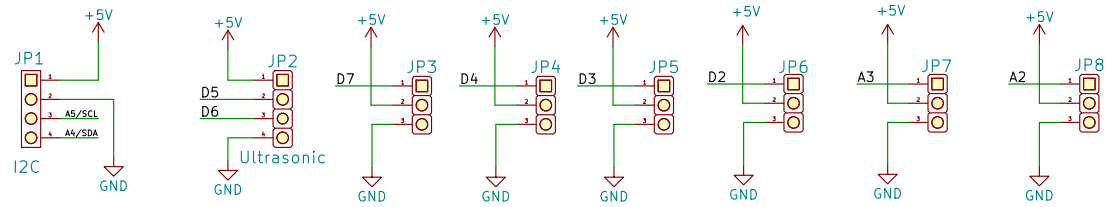
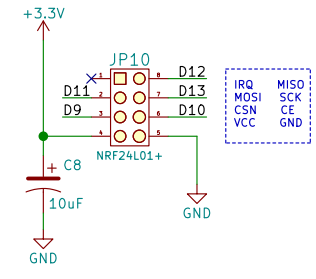
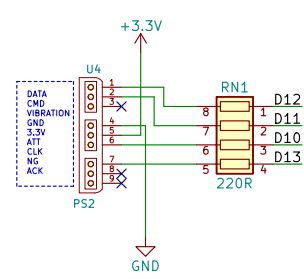
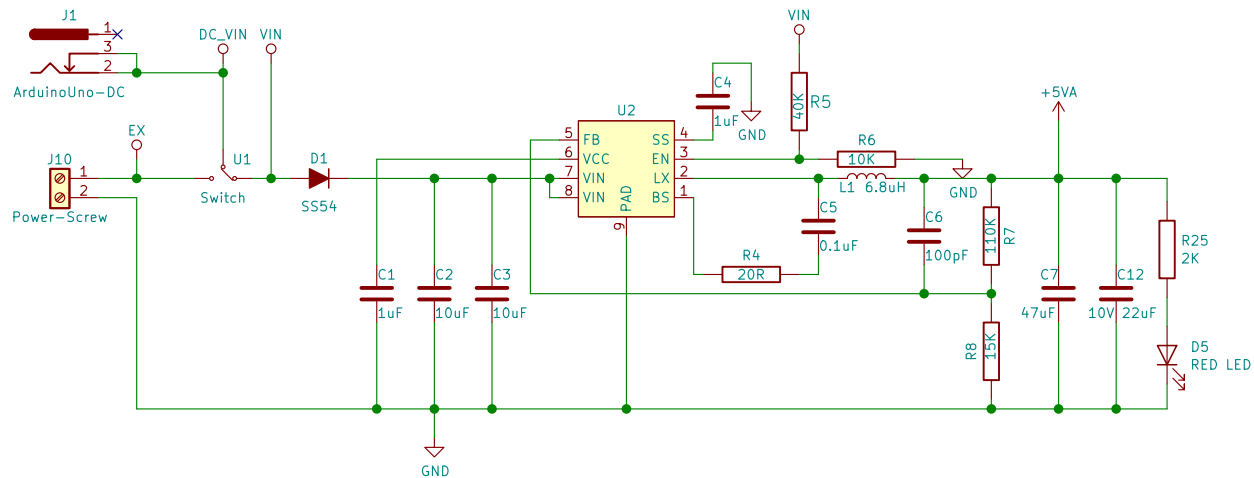
Size: A4

Date:

**Rev: V5.1**

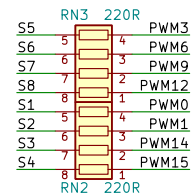
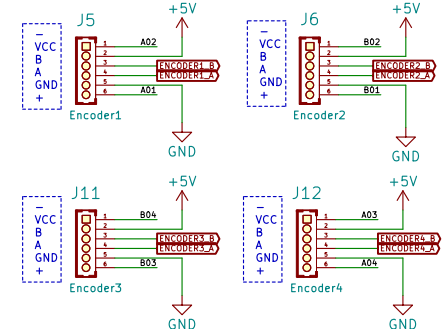
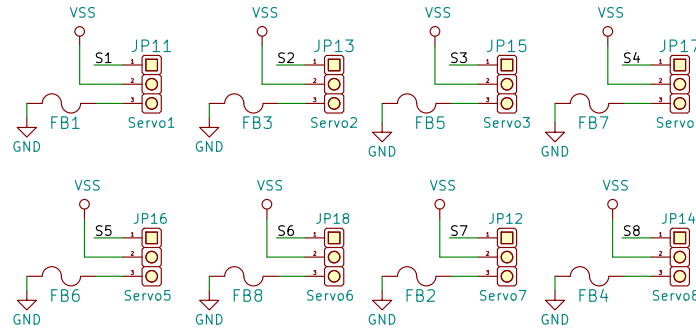
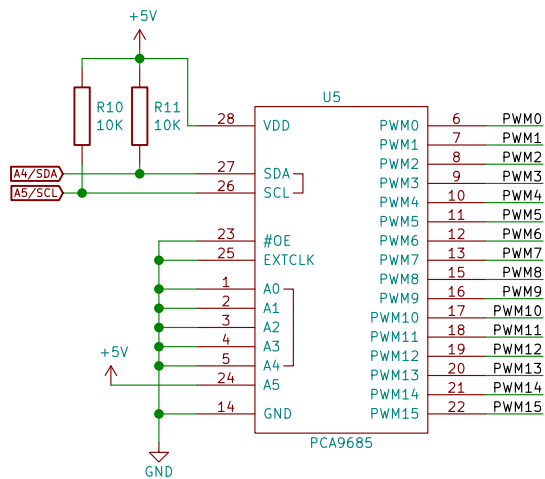
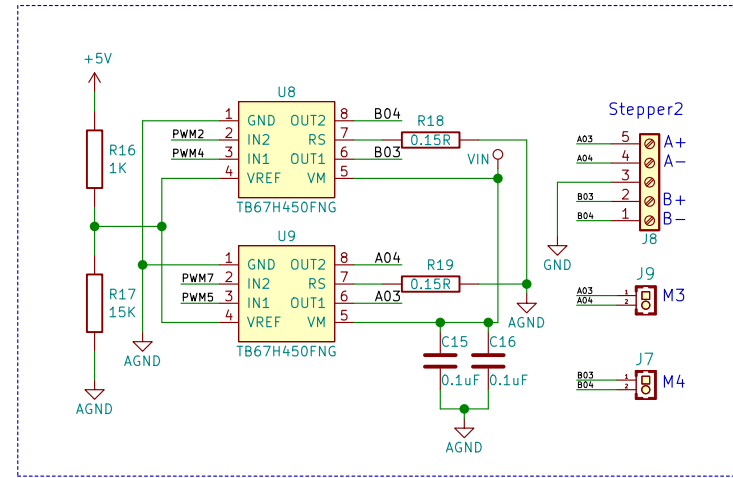
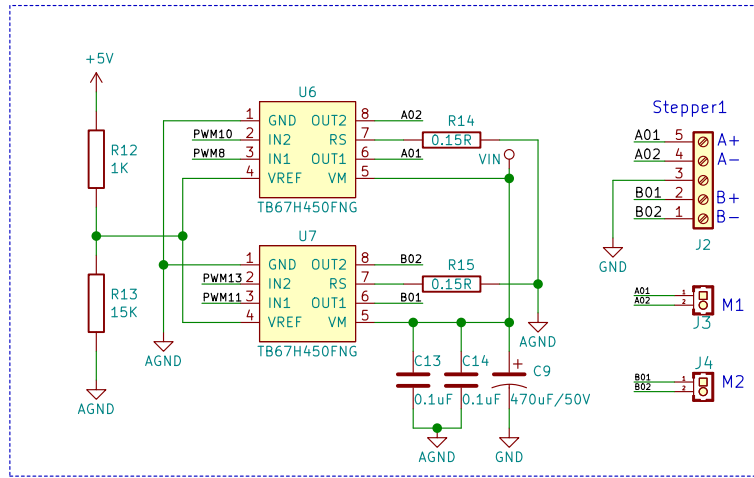
KiCad E.D.A. kicad (5.1.10)-1

Id: 1/4



1. Cap connect VSS,+5V use internal DC-DC 5V for servo power
2. Switch turn to "IN", MotorDriverBoard get power from Uno DC-Port
3. Cap connect VSS,EX, Servo get power from "Power-Screw"
4. If need just use "Power-Screw" for all board
  - a. Switch turn to "EX"
  - b. Cap connect VSS,5v
  - c. SMT "R24"

<https://github.com/emakefun/MotorDriverBoard>  
 Author:ken.chen@emakefun.com  
 make your ideas fun  
**Emakefun**  
 Sheet: /Power&Extension/  
 File: Power&Extension.sch  
**Title: MotorDriver Board**  
 Size: A4 Date:  
 KiCad E.D.A. kicad (5.1.10)-1 Rev: V5.1  
 Id: 2/4



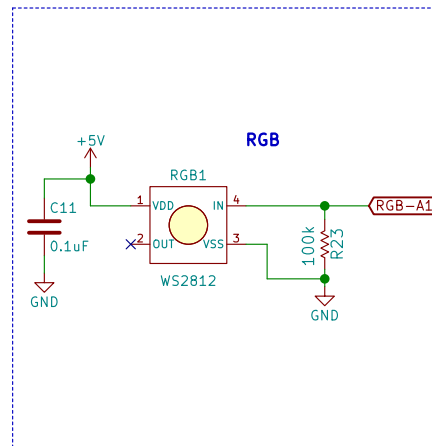
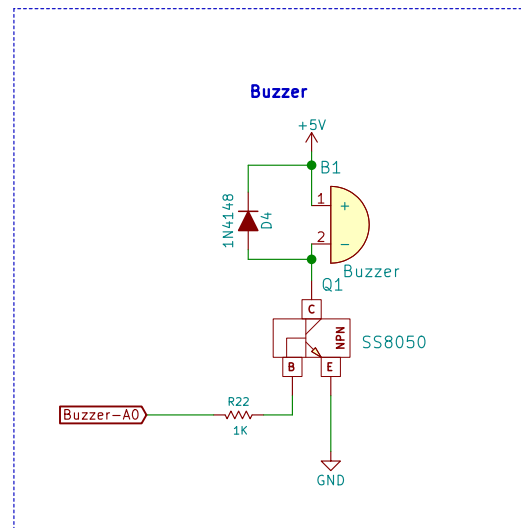
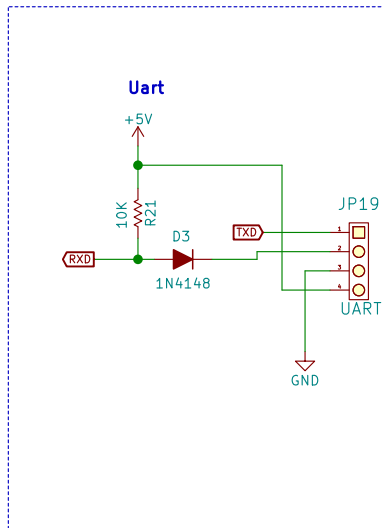
<https://github.com/emakefun/MotorDriverBoard>  
 Author: ken.chen@emakefun.com  
 make your ideas fun

**Emakefun**

Sheet: /TB67H450FNG/  
 File: TB67H450FNG.sch

**Title: MotorDriver Board**

Size: A4	Date: 2023-03-21	Rev: V5.2
KiCad E.D.A. kicad (5.1.10)-1		Id: 3/4



<https://github.com/emakefun/MotorDriverBoard>

Author:ken.chen@emakefun.com

make your ideas fun

**Emakefun**

Sheet: /Peripheral/

File: Peripheral.sch

**Title: MotorDriver Board**

Size: A4

Date:

KiCad E.D.A. kicad (5.1.10)-1

**Rev: V5.1**

Id: 4/4

