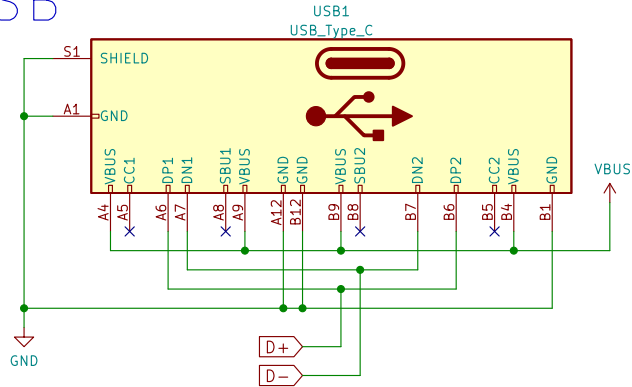
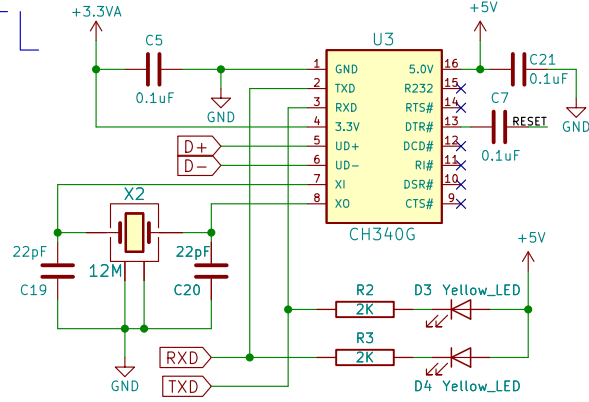


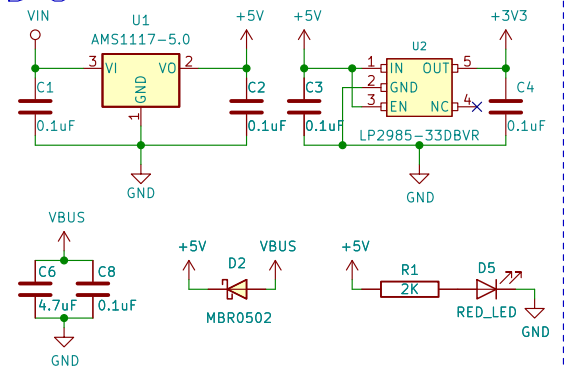
# USB



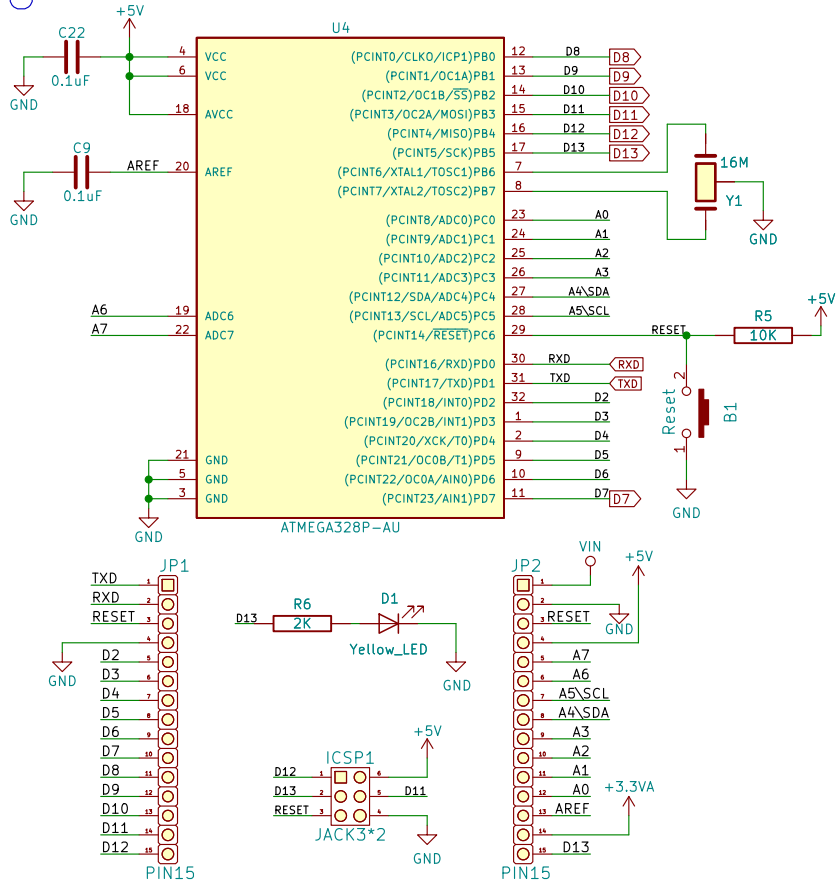
# TTL



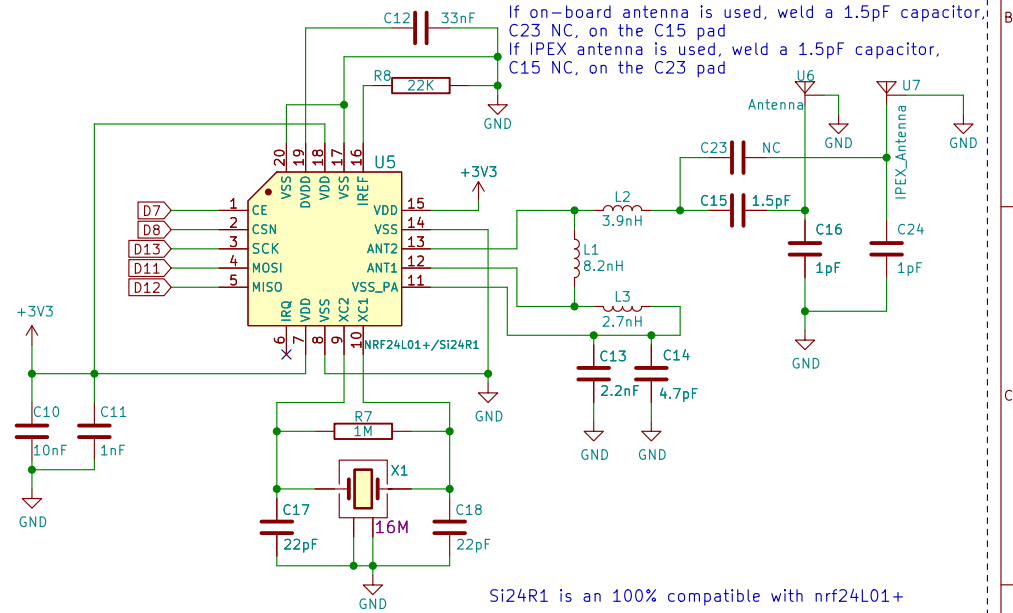
# LDO



# MCU



# NRF24L01+ / Si24R1



Carl  
nulljun@nulllab.cn  
<https://github.com/emakefun/rf-nano>  
<http://www.emakefun.com/>

**nulllab**  
Sheet: /  
File: RF-Nano.kicad\_sch

### Title: RF-NANO

Size: A4 Date: 2021-10-28

KiCad E.D.A. kicad (6.0.7)

Rev: V3.0

Id: 1/1