

Template Board

Version 1.5

Index	Page
Power	1
ESP32 MainBoard	2
Motor	3

Power



File: Power.kicad_sch
ESP32



File: ESP32.kicad_sch
Motor



File: Motor.kicad_sch

<https://github.com/emakefun/maker-esp32>

Sheet: /
File: ESP32_V1.5.kicad_sch

Title: Maker-ESP32

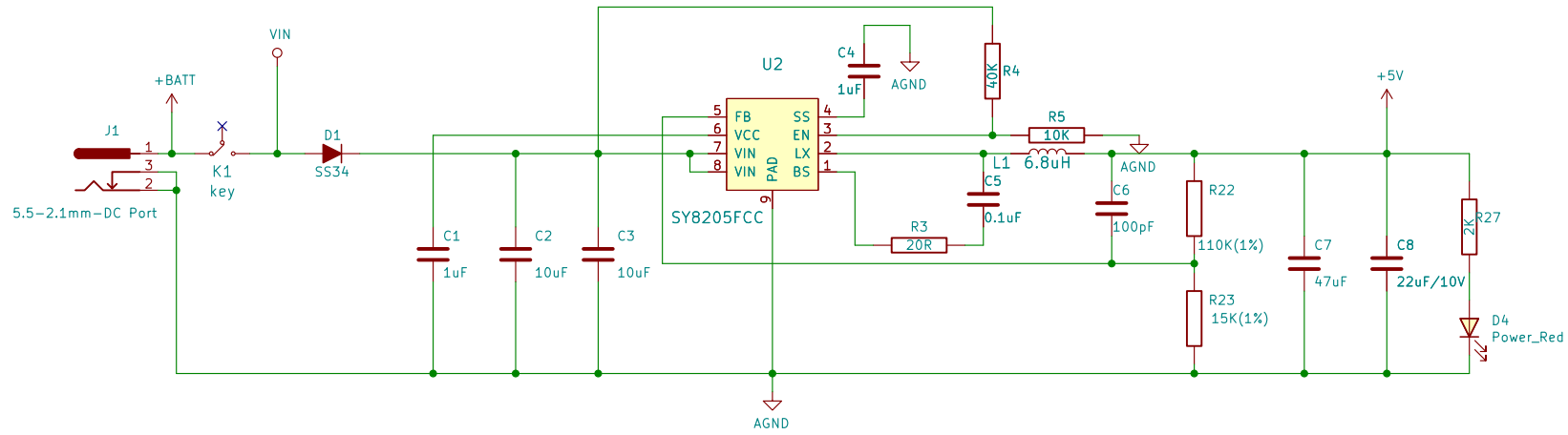
Size: A4 Date: 2022-08-25

KiCad E.D.A. kicad (6.0.7)

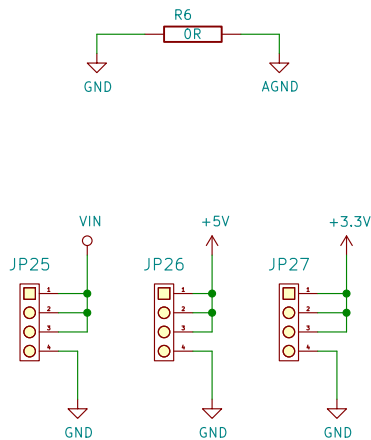
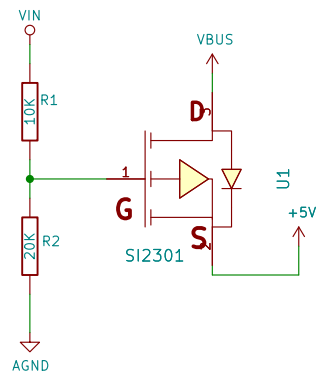
Rev: V1.5

Id: 1/4

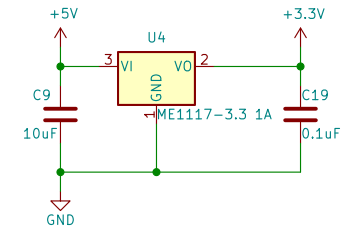
DC to DC



VIN or VBUS



5V to 3.3V



emakefun

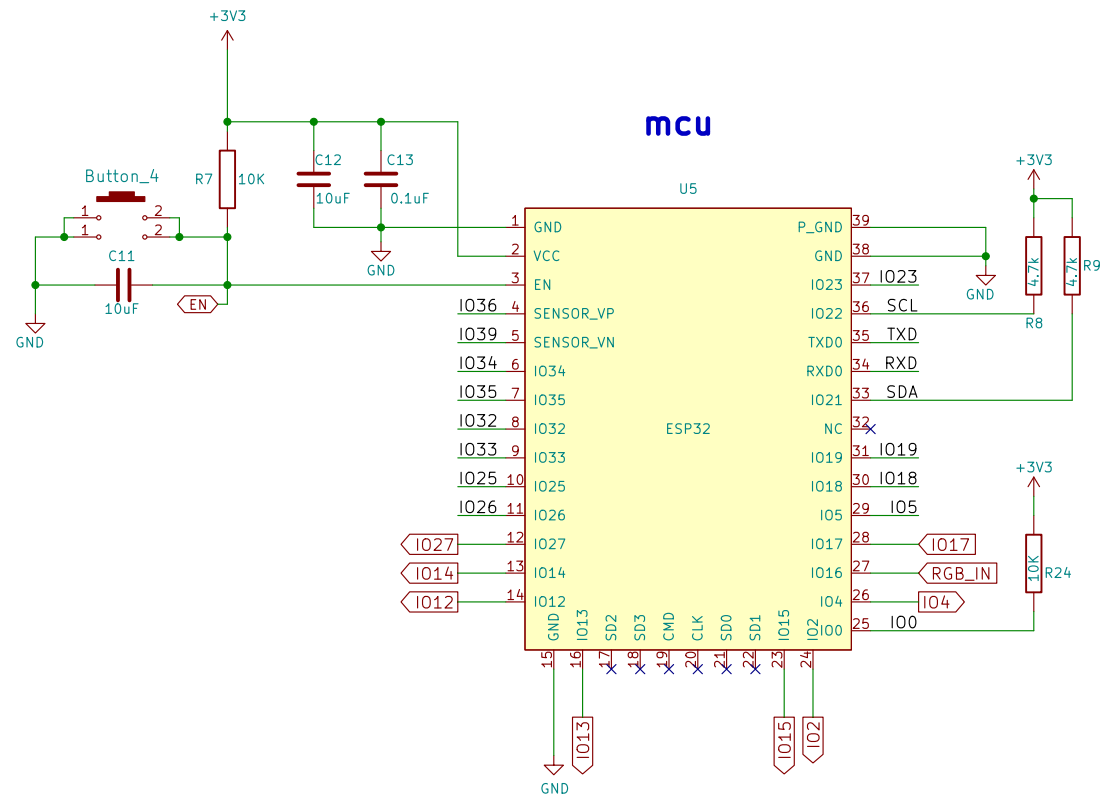
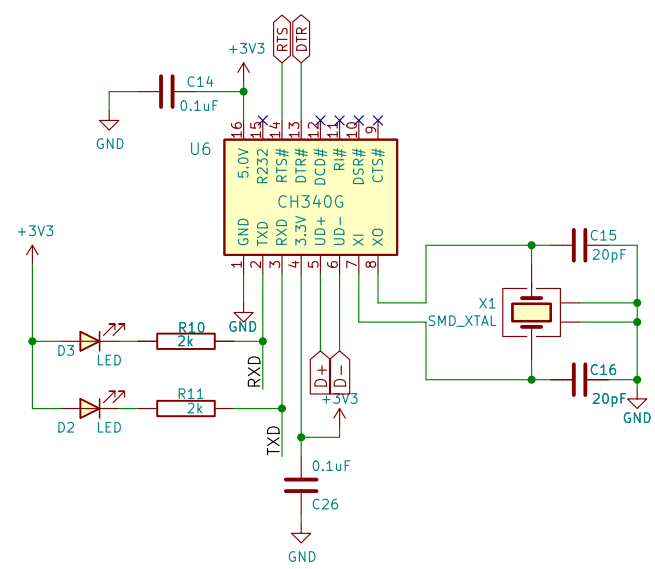
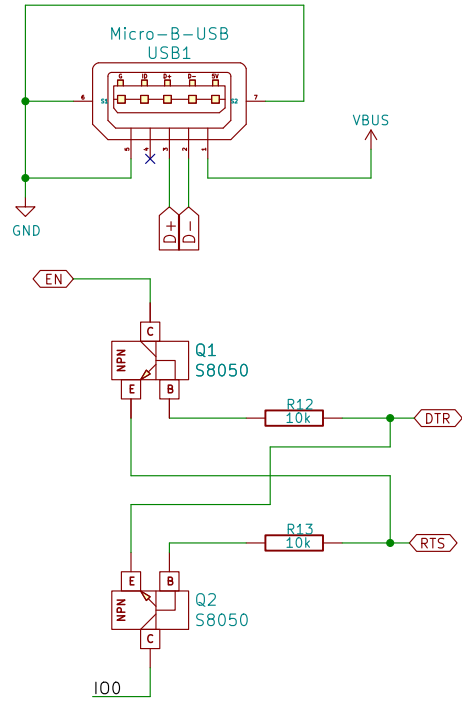
Sheet: /Power/
File: Power.kicad_sch

Title:

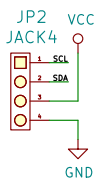
Size: A4 Date:
KiCad E.D.A. kicad (6.0.7)

Rev:
Id: 2/4

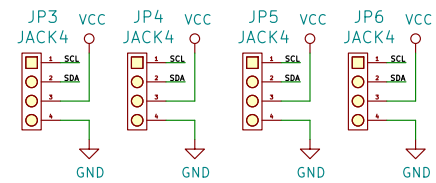
USBtoTTL



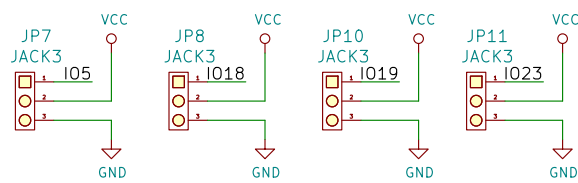
OLED



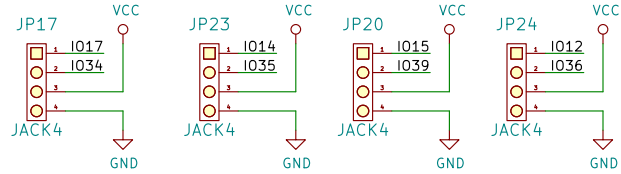
IIC



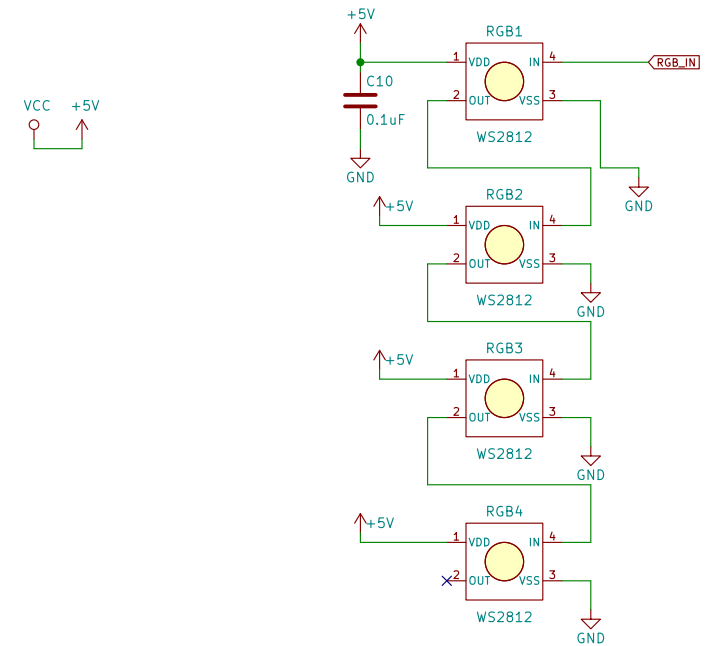
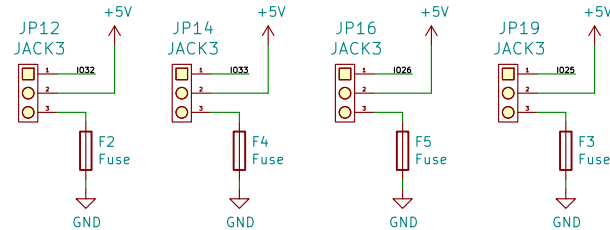
SPI

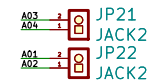
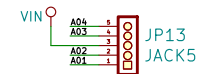
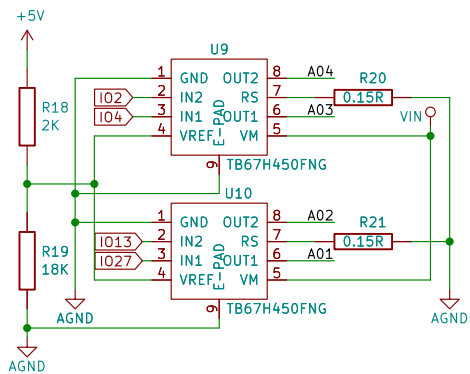
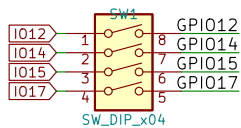
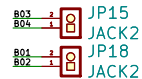
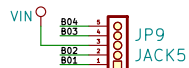
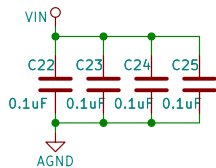
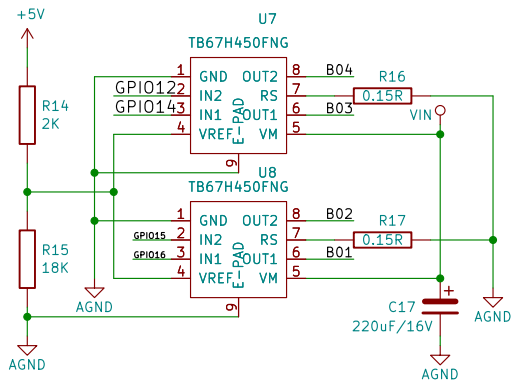


ADC



SERVO





Sheet: /Motor/
File: Motor.kicad_sch

Title:

Size: A4
KiCad E.D.A. kicad (6.0.7)

Date:

Rev:
Id: 4/4